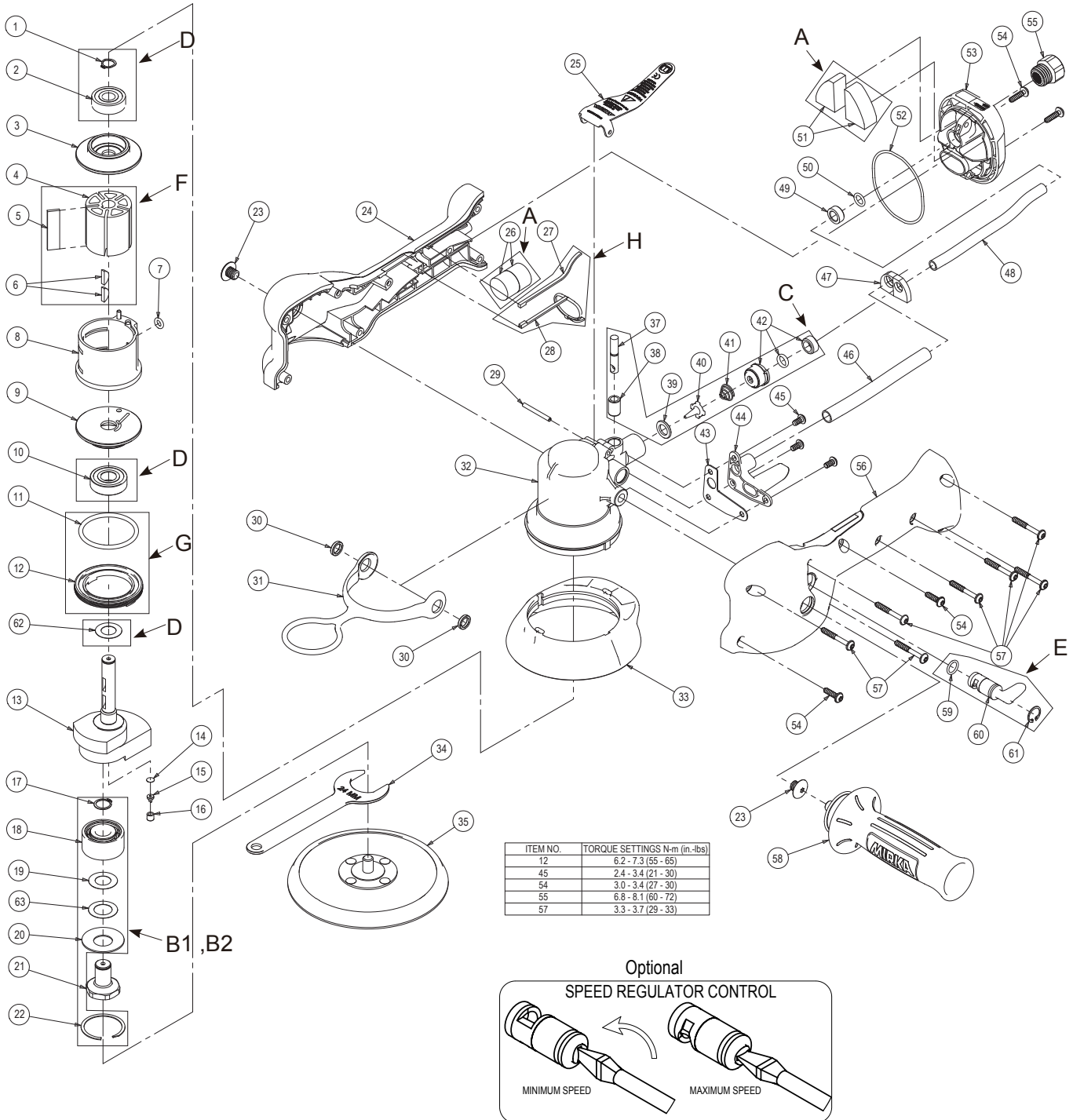


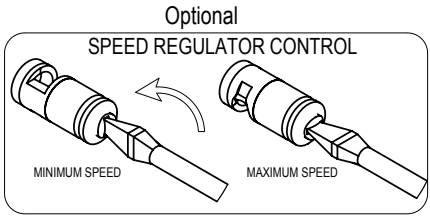


Exploded view of ROP2, 77 mm & 125 mm

Updated 21.03.2017



ITEM NO.	TORQUE SETTINGS N·m (in.-lbs)
12	6.2 - 7.3 (55 - 65)
45	2.4 - 3.4 (21 - 30)
54	3.0 - 3.4 (27 - 30)
55	6.8 - 8.1 (60 - 72)
57	3.3 - 3.7 (29 - 33)



ROP2 77 & 125 mm Kits

Mirka code	Item	Description	Kit	Part No	QTY
8994226011		Muffler Kit 10 000 rpm		MPA2348	
	26	Muffler Insert	A	MPA0068	2
	51	Muffler (NV + CV Machines)		MPA0776	2
8994022811		Spindle Bearing Kit for 77 mm ROP2		MPA2304	
	17	Retaining Ring		MPA0090	1
	18	Bearing		MPA0938	1
	63	Spindle Bearing Dust Shield	B1	MPA2542	1
	19	Spacer		MPA0016	1
	20	Belleville Washer		MPA0017	1
	22	Retaining Ring		MPA0018	1
8994021811		Spindle Bearing Kit for 125 mm ROP2		MPA2186	
	17	Retaining Ring		MPA0090	1
	18	Bearing		MPA0751	1
	63	Spindle Bearing Dust Shield	B2	MPA2540	1
	19	Spacer		MPA1767	1
	20	Belleville Washer		MPA1024	1
	22	Retaining Ring		MPA1025	1
8994024011	C	Air Inlet Kit		MPA2216	
	37	Valve Stem Assembly		MPA0655	1
	38	Valve Sleeve		MPA0015	1
	39	Valve Seat	C	MPA0009	1
	40	Valve		MPA0007	1
	41	Valve Spring		MPA0014	1
	42	Airline Seal Assembly		MPA0730	1
8993019811		Endplate Bearing Kit		MPA0799	
	1	Retaining Ring	D	MPA0040	1
	2	Bearing		MPA0021	1
	10	Bearing		MPA0019	1
8994025511		Speed Valve Kit		MPA2218	
	59	O-Ring	E	MPA0043	1
	60	Speed Valve Control		MPB0183	1
8994020611		Rotor, Vanes And Key Kit		MPA2220	
	4	Rotor	F	MPB0118	1
	5	Vane		MPA0445	5
	6	Key		MPA0041	2
8993007911		Lock Ring And O-Ring Kit		MPA0993	
	11	O-Ring	G	MPA0045	1
	12	Lock Ring		MPA0001	1
8994012911		Housing Seal Kit		MPA2531	
	27	Top Housing Seal	H	MPA1218	1
	28	NV Lower Housing Seal (to be modified from MPB0290 motor housing seal)		MPA1255	1
8994020411		Cylinder And O-Ring Kit		MPA2593	
	7	O-Ring	x	MPA0042	1
	8	Cylinder Assembly		MPA0441	1
8994221311		Shaft Balancer 77 mm/12,0 Kit		MPA2922	
	13	77 x 12.0 mm (3 x 1/2 In.) Orbit Shaft Balancer		MPB0203	1
	14	Filter	x	MPA0122	1
	15	Check Valve		MPA0121	1
	16	Retainer		MPA0120	1

ROP2 77 & 125 mm Kits

Mirka code	Item	Description	Kit	Part No	QTY
8994221411		Shaft Balancer 125 mm/12,0 Kit		MPA3089	
	13	125 x 12 mm (5 x 1/2 In.) Orbit Shaft Balancer		MPC0381	1
	14	Filter	x	MPA0122	1
	15	Check Valve		MPA0121	1
	16	Retainer		MPA0120	1
8994222511		Lever Kit 12,0 mm		MPA3099	
	25	Lever 12.0 mm (1/2 In.)	x	MPA2073	1
	29	Cylinder Spring Pin		MPA0004	1
8994023111		Hanger And Spacer Ring Kit		MPA2832	
	30	Spacer Ring	x	MPA1865	2
	31	Hanger - Black		MPB0420	1
8994244311		Exhaust Nozzle And Gasket Kit NV/CV		MPA2924	
	43	Exhaust Gasket	x	MPA0500	1
	44	NV/CV Exhaust Nozzle		MPB0182	1
8994025311		Housing Screw Kit		MPA2928	
	54	Screws	x	MPA1398	4
	57	Screws		MPA1430	7

Separate parts on next page

ROP2 77 & 125 mm Spare parts

Mirka code	Item	Description	Kit	Part No	QTY
	1	Retaining Ring	D	MPA0040	1
	2	Bearing	D	MPA0021	1
8993009311	3	Rear Endplate		MPB0017	1
	4	Rotor	F	MPB0118	1
	5	Vane	F	MPA0445	5
	6	Key	F	MPA0041	2
	7	O-Ring	x	MPA0042	1
	8	Cylinder Assembly	x	MPA0441	1
8993009411	9	Front Endplate		MPB0016	1
	10	Bearing	D	MPA0019	1
	11	O-Ring	G	MPA0045	1
	12	Lock Ring	G	MPA0001	1
	13	77 x 12.0 mm (3 x 1/2 In.) Orbit Shaft Balancer	x	MPB0203	1
	13	125 x 12 mm (5 x 1/2 In.) Orbit Shaft Balancer	x	MPC0381	1
	14	Filter	x, x	MPA0122	1
	15	Check Valve	x, x	MPA0121	1
	16	Retainer	x, x	MPA0120	1
	17	Retaining Ring	B1, B2	MPA0090	1
	18	Bearing	B1, B2	MPA0938	1
	19	Spacer	B1, B2	MPA0016	1
	20	Belleville Washer	B1, B2	MPA0017	1
8994012011	21	Spindle 77 mm		MPB0312	1
8994012111	21	Spindle 125 mm		MPB0208	1
	22	Retaining Ring for 77 mm (3 In.)	B1, B2	MPA0018	1
	22	Retaining Ring for 125 mm (5 In.)	B1, B2	MPA1025	1
8994602511	23	Threaded Plug		MPA1711	2
8994213111	24	RH Housing		MPB0401	1
	25	Lever 12.0 mm (1/2 In.)	x	MPA2073	1
	26	Muffler Insert	A	MPA0068	2
	27	Top Housing Seal	H	MPA1218	1
	28	NV Lower Housing Seal (to be modified from MPB0290 motr	H	MPA1255	1
	29	Cylinder Spring Pin	x	MPA0004	1
	30	Spacer Ring	x	MPA1865	2
	31	Hanger - Black	x	MPB0420	1
8994013311	32	Motor Housing		MPB0356	1
8994014811	33	Buffer Shroud 77 mm (3 In.)		MPC0228	1
8994213311	33	Buffer Shroud 125 mm (5 In.)		MPA2080	1
8993008012	34	Pad Wrench 17 mm (supplied with each 77 mm (3 In.) tool)		MPA0146	1
8995604121	34	Mirka Pad Wrench 24mm (supplied with each 125 mm (5 In.) tool)			1
8294791311	35	Backing Pad 77mm 1/4" Grip Medium			1

ROP2 77 & 125 mm Spare parts

Mirka code	Item	Description	Kit	Part No	QTY
8295191511	35	Backing Pad 125mm 5/16" Grip Medium			1
	37	Valve Stem Assembly	C	MPA0655	1
	38	Valve Sleeve	C	MPA0015	1
	39	Valve Seat	C	MPA0009	1
	40	Valve	C	MPA0007	1
	41	Valve Spring	C	MPA0014	1
	42	Airline Seal Assembly	C	MPA0730	1
	43	Exhaust Gasket	x	MPA0500	1
	44	NV/CV Exhaust Nozzle	x	MPB0182	1
8994804411	45	Screws		MPA0664	3
8994014511	46	Exhaust Tubing (NV + CV Machines)		MPA0517	1
8994215711	47	Tubing Clamp (NV + CV Machines)		MPA0516	1
8994014711	48	Inlet Tubing		MPA0511	1
	49	Inlet Captive Ring		MPA0510	1
	50	O-Ring		MPA0509	1
	51	Muffler (NV + CV Machines)	A	MPA0776	2
	52	O-Ring (NV + CV Machines)		MPA0628	1
	53	Inlet/Exhaust End Cap Assembly (NV Machines)		MPA0731	1
	54	Screws	x	MPA1398	4
8993009511	55	Inlet Bushing Assembly (1/4-18 Npt)		MPA0013	1
8994216211	56	LH Housing		MPB0402	1
	57	Screws	x	MPA1430	7
8994605011	58	Side Handle - Mirka		MPA1981	1
	59	O-Ring	E	MPA0043	1
	60	Speed Valve Control	E	MPB0183	1
		Flush Twohand Speed Control (Opt)		MPA1939	1
	61	Retaining Ring		MPA0039	1
	63	Spindle Bearing Dust Shield		MPA2540	1
			B1, B2	MPA2542	1