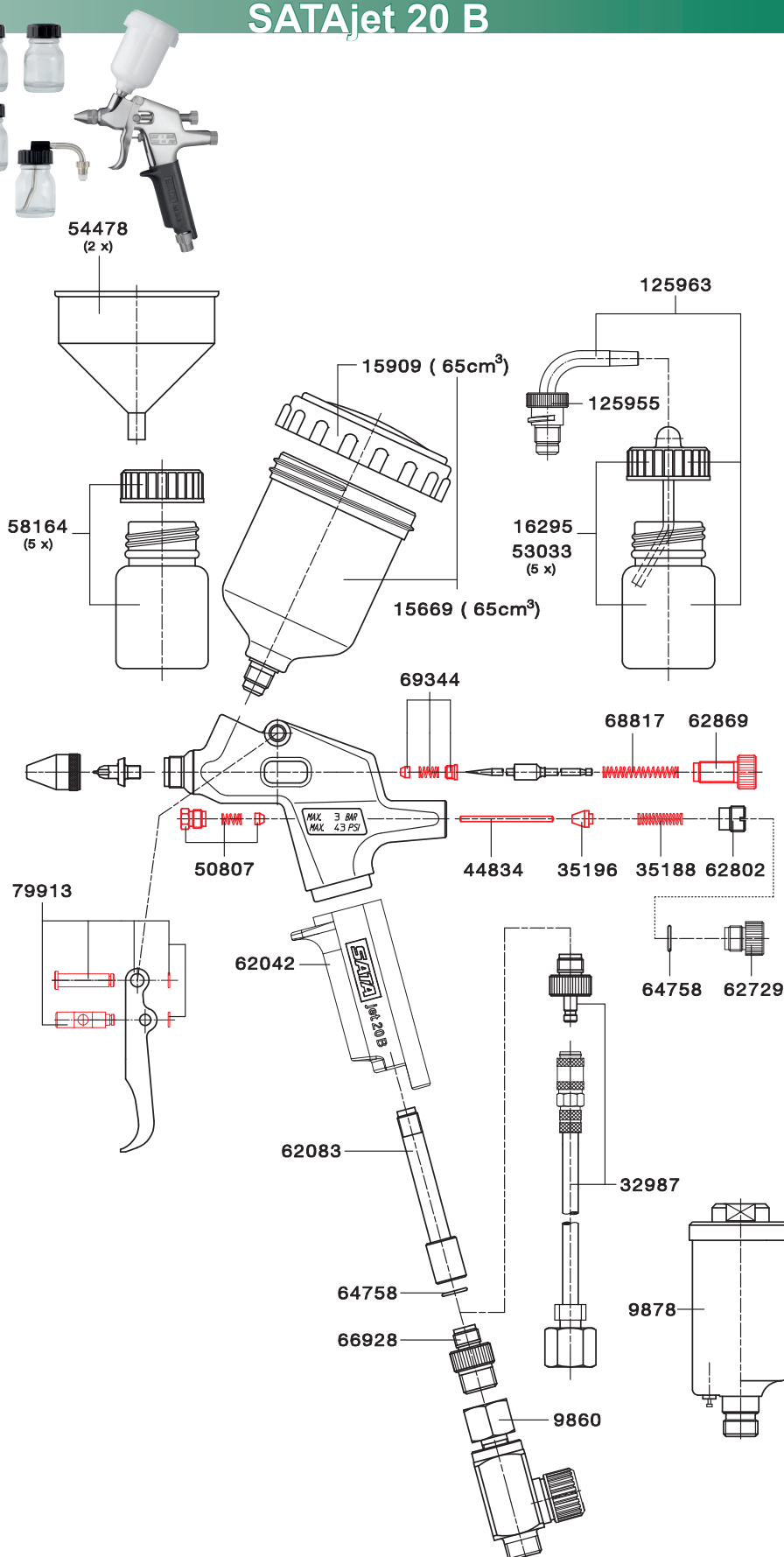


SATAjet 20 B

Art. No./ Descr.
9860 SATA air micrometer 0-845, G 1/4 e
9878 SATA mini filter G 1/4
15669 PVC gravity flow cup 65 ccm SATAjet 20 B, dekor 2000
15909 PVC screw-on lid 65 ccm PVC cup SATAjet 20 B, dekor 2000
16295 Plug-in cup wit lid SATAjet 20 B, dekor 2000
32987 PVC compressed air hose 3 m with mini coupling and nipple
35188 Pressure spring air piston
35196 Air piston
44834 Air piston rod
50807 Service unit air piston rod
53033 5 plug-in cups with lid
54478 Pack of 2 SATA strainers for small paint spray guns
58164 5 glass cups of each 25 ccm with closed lid
62042 Spray gun handle
62083 Air tube
62729 Closing screw
62802 Compression screw G 1/8a
62869 Material flow control screw
64758 O-Ring 8 x 1 mm, Viton green
66928 Air connection G1/8a-G1/4a
68817 Pressure spring paint needle
69344 Paint needle packing
69427 Packing kit SATAjet 20 B, dekor 2000
79913 Trigger kit
125955 Plug-in cup connection with QCC
125963 Add-on set consisting of plug-in cup connection with QCC, 5 plug-in cup connections with lid 25 ccm and 2 strainers



9373

Tool kit

- Cleaning brush
- Spanner
- Hexagonal screwdriver



Art. No./ Descr.

91165
Repair kit SATAjet 20 B, dekor 2000 from
spray gun no. 6001 on

