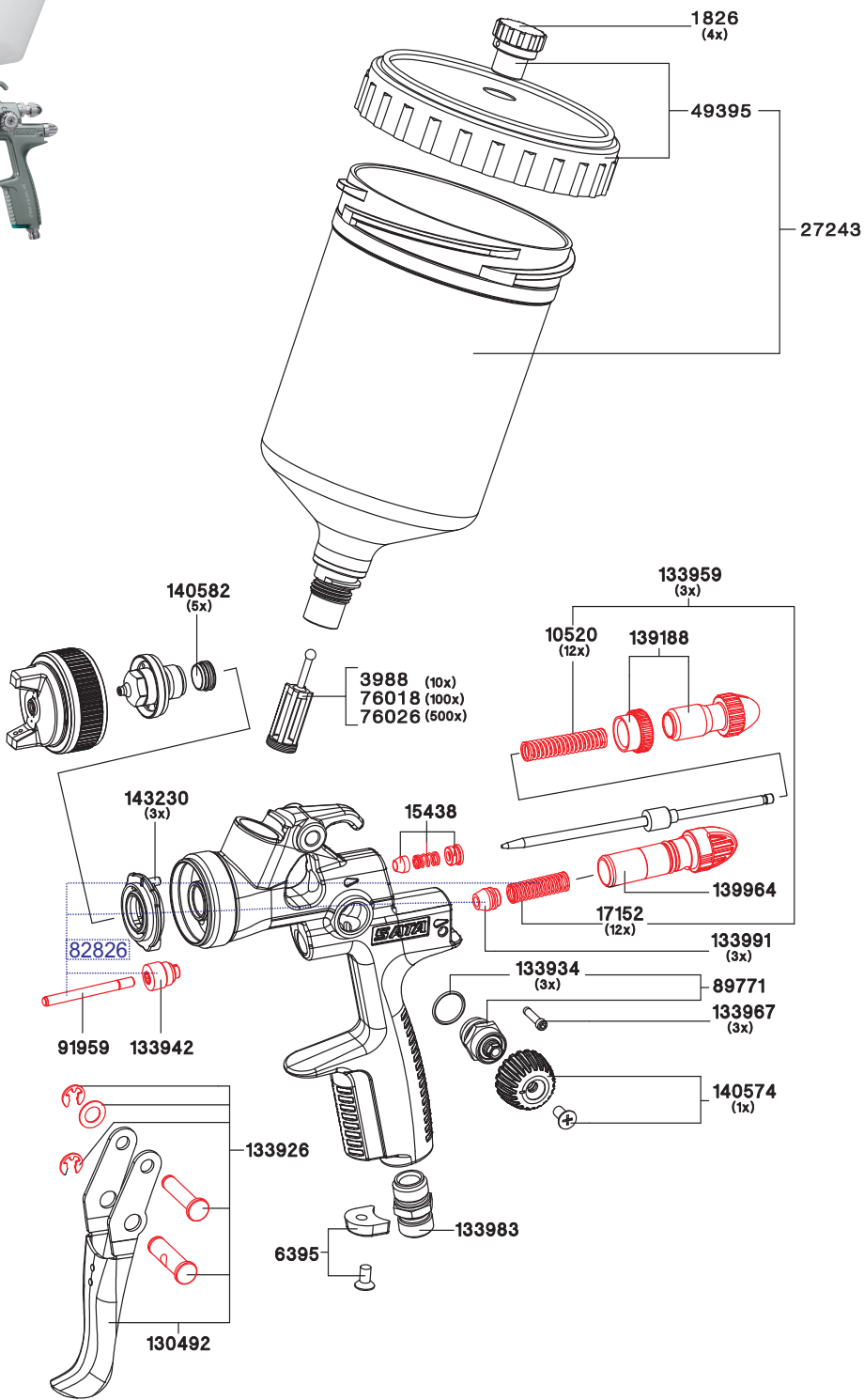


# SATAjet 100 B F HVLP

Art. No./ Descr.
1826 Pack of 4 pieces non-drip devices for 0.6 l PVC cup
3988 Pack of 10 paint strainers
6395 Pack of 4 CCS clips
10520 Pack of 12 springs for paint needle
15438 Paint needle packing
17152 Pack of 12 air piston springs
27243 QCC quick replacement cup (PVC) 0.6 l
49395 Screw-on lid for 0.6 l PVC cup with drip-catching ring and non-drip device
76018 Dealer pack paint strainers, content: 10 packs of 10 pieces paint strainers
76026 Large dealer pack paint strainers, content: 50 packs of 10 pieces paint strainers
89771 Spindle, cpl., f. round / flat spray control
91959 Air piston rod
130492 Trigger kit, packed in PVC bag
133926 Trigger sleeve kit
133934 Pack of 3 packings for spindle
133942 Seal retainer
133959 Set of springs, each 3 pieces paint needle/air piston springs
133967 Pack of 3 adjustment screws for SATA air micrometer
133983 Air connection piece G1/4a
133991 Pack of 3 air piston heads
139188 Material flow control with counter nut
139964 Air micrometer
140574 Control knob and screw (each 1)
140582 Pack of 5 sealing elements for paint nozzle
143230 Pack of 3 air distribution rings



**9050**

**Tool kit**

- Removal kit
- Paint sieve
- Cleaning brush
- Allen key
- Internal hexagonal wrench
- Spanner

Art. No./ Descr.
<b>130542</b> Repair Kit SATAjet 1000, jet 100
<b>82826</b> Air piston service unit

